

3643246

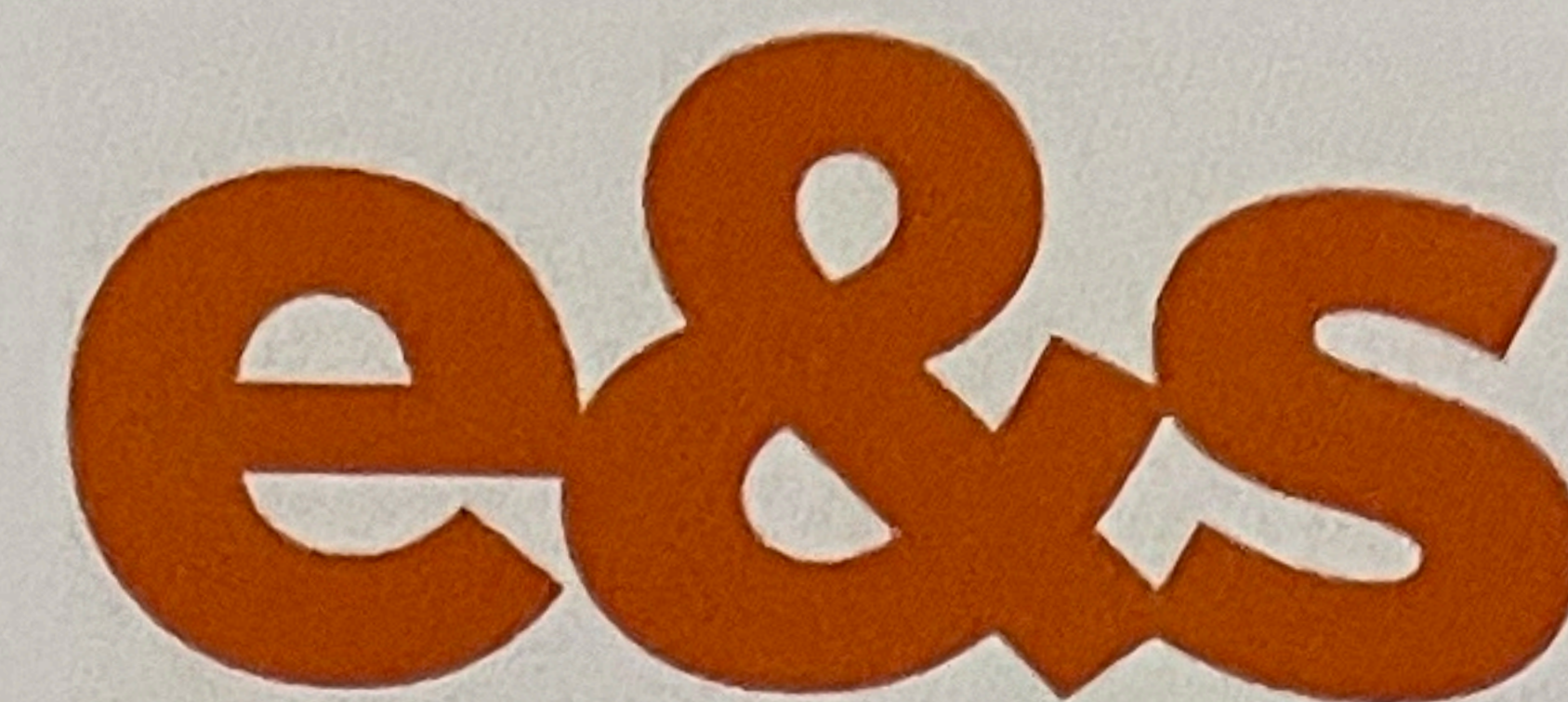
RETAIL
MOORABBIN

Moorabbin
Level 1, 970 Nepean Highway
Moorabbin VIC 3189
Phone 03 9556 7777

SALES CONSULTANT

James Kariotis
James.Kariotis@eands.com.au

www.eands.com.au



KITCHEN · BATHROOM · LAUNDRY

ABN 71 007 449 265

Order

CUSTOMER DETAILS

DATE PREPARED	3/10/2024				
CUSTOMER NAME	Jeff McConchie				
ADDRESS	86	Cromer Road	Beaumaris	Victoria	3193
CONTACT					
PHONE	Mobile 0415329692		Home		
EMAIL	jeffmconchie@gmail.com				
PO#					
JOB REFERENCE					



ITEM	BRAND	MODEL	DESCRIPTION	SOI	AGENCY	DEL ADDRESS	QTY	DELIVERY DATE	UNIT PRICE	EXTENDED
1	Westinghouse	WQE5600BB	564L Quad Door Dark	No	A		1		\$1,672.00	\$1,672.00
4	Westinghouse	WRI525BC	52cm Integrated Rangehood With Hob2...	No	A		1		\$535.00	\$535.00
5	Bosch	SMS2ITW01A	13 Place Settings, 5 Wash Programs...	No	A		1		\$838.00	\$838.00
6	Hansgrohe	71832003	Logis Single Lever Kitchen Mixer 36...	No	A		1		\$297.00	\$297.00
7	Fisher Paykel	FPSD	Save \$300 on Fisher Paykel Items	Yes	A		1		\$-300.00	(\$300.00)
8	Delivery Services	DELIVERYPROMO	Delivery Promo	No	A		1		\$0.00	\$0.00

E&S Trading Payment Information.

The amount shown here is to be paid to E&S for the E&S supplied products.

TOTAL \$3,042.00

E&S SUPPLIED PRODUCT	DEPOSIT PAID	BALANCE
	\$3,342.00	\$0.00

3246

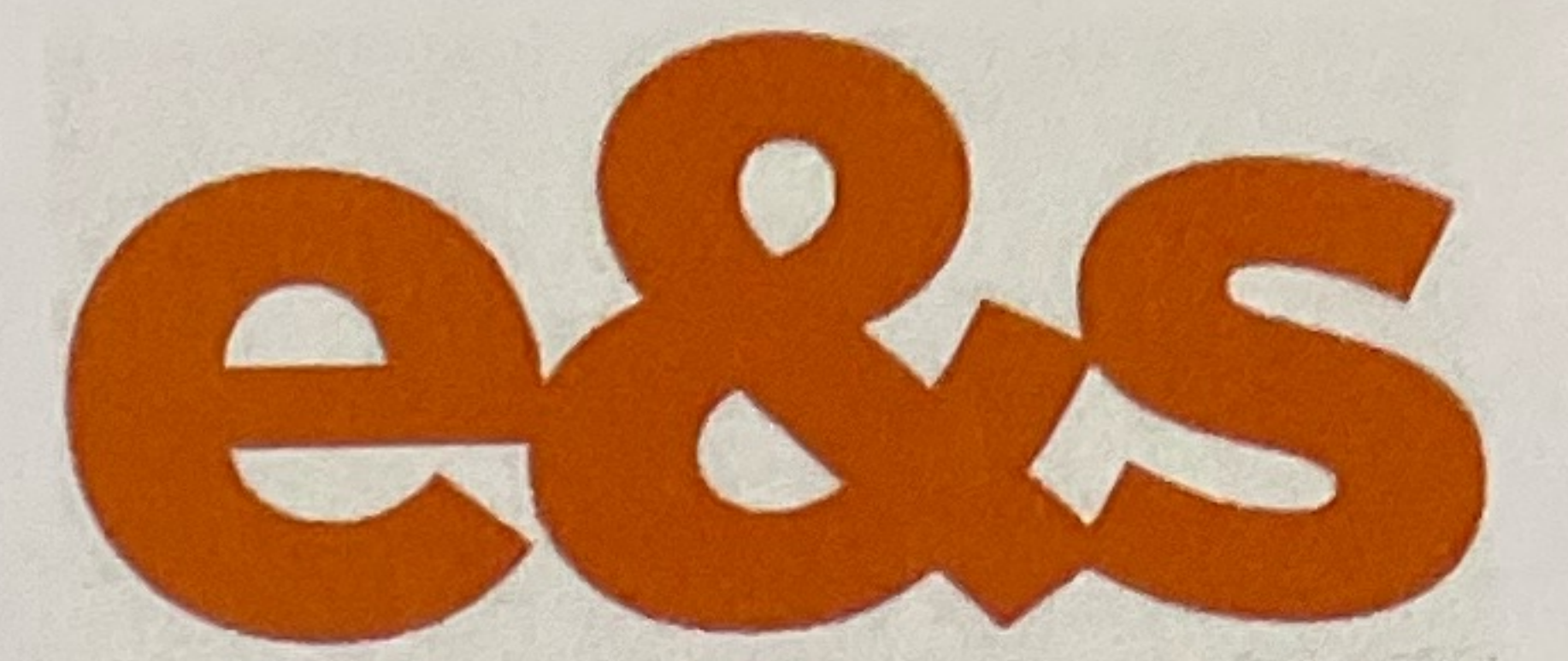
MAIL
MOORABBIN

Moorabbin
Level 1, 970 Nepean Highway
Moorabbin VIC 3189
Phone 03 9556 7777

SALES CONSULTANT

James Kariotis
James.Kariotis@eands.com.au

www.eands.com.au



KITCHEN · BATHROOM · LAUNDRY

ABN 71 007 449 265

FISHER & PAYKEL

ITEM	BRAND	MODEL	DESCRIPTION	SOI	AGENCY	DEL ADDRESS	QTY	REFERENCE #	UNIT PRICE	EXTENDED
2	Fisher Paykel	CI604DTB4	60cm Induction Cooktop, 4 Cooking Z...		Yes	A	1		\$1,899.00	\$1,899.00
3	Fisher Paykel	OB60SD9PB1	Built-In Oven, Pyrolytic, 9 Functio...		Yes	A	1		\$1,799.00	\$1,799.00

E&S Trading Payment Information.

The amount shown is not able to be paid to E&S. This is an Agency Brand and therefore payment must be made directly to this suppliers

FISHER PAYKEL SUPPLIED PRODUCT

TOTAL

\$3,698.00

DELIVERY

	TRADE / CUSTOMER NAME	DEL ADDRESS	PHONE	NOTES
A	86	Jeff McConchie 86 Cromer Road Beaumaris VIC 3193	0415329692	

PAYMENT INFORMATION

DEPOSIT

A 30% deposit is required at time of order unless advised otherwise. Stock is not allocated to your order until closer to your requirements. If you would like stock to be allocated and stored until you require it, payment in full is required. Stock will be held in our warehouse until you require it, free of charge.

DIRECT DEPOSIT DETAILS

Account Name: E&S Trading
BSB: 013-257
Account Number: 296223181
Reference No: 3643246

PAYMENT SPLIT

Any items that have been purchased that are an 'Agency Brand' will need to be paid for directly to the Agency Supplier. This payment total is listed as Payments Required to Other Suppliers.

TERMS & CONDITIONS

STANDARD TERMS AND CONDITIONS

Standard terms and conditions apply to all E&S sales. A copy of these Terms and Conditions available from www.eands.com.au/conditions.

ORDER NOTES

FISHER & PAYKEL

DATA SHEET Induction Cooktop, 600mm, 4 Zones, Black

Model no:
CI604DTB4

Product Dimensions	mm
Ⓐ Overall height of cooktop	54
Ⓑ Overall width of cooktop	599
Ⓒ Overall depth of cooktop	530
Ⓓ Height of cooktop glass (includes flange and tape)	6
Ⓔ Height of chassis	48
Ⓕ Width of chassis	552
Ⓖ Depth of chassis	480
Ⓗ Distance from side of edges of cooktop to chassis	24
Ⓘ Distance from front of edge of cooktop to chassis	13
Ⓚ Distance from back edge of cooktop to chassis	37
Ⓛ Distance from rear of cooktop to cutout	32
Ⓜ Distance from front of cooktop to cutout	8

Product Clearances	mm
Minimum clearance from side edges of cutout to nearest combustible surface	30
Minimum clearance from rear edge of cutout to nearest combustible surface	39
Minimum clearance from front edge of cutout to front edge of counter	35
Minimum clearance from glass surface to rangehood	650
Minimum clearance from glass surface to overhead cabinet not directly above cooktop	450
Minimum ventilation gap between bottom of counter and top of cabinetry fronts (not shown)	4
Minimum clearance from counter top to top of any appliances, companion product or obstruction below cooktop*	65

*Clearance for proud installation of the cooktop. For flush install the height of the cooktop glass needs to be added to the clearance.

NOTE: The oven installed below the cooktop MUST have a cooling fan. It is important that the induction cooktop receives adequate air supply. For ventilation requirements please refer to the installation manual.

Cutout Dimensions	mm
Overall width of cutout**	560
Overall depth of cutout***	490

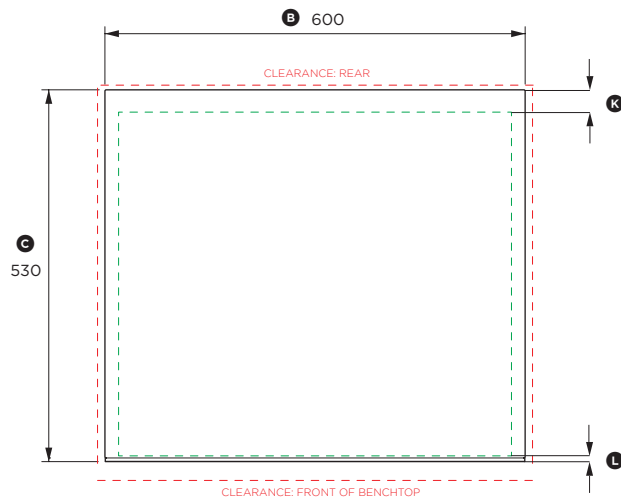
** Note cutout position is centred to the cooktop width.

*** Note cutout is offset 8mm towards the front of the cooktop.

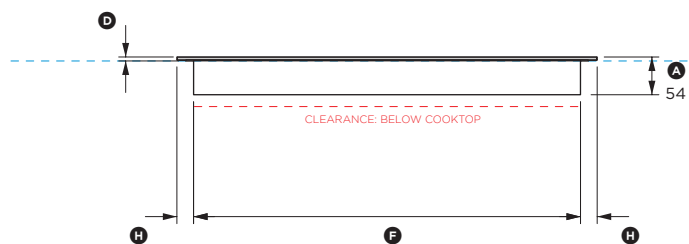
INDICATES CUTOUT -----
INDICATES CABINERY / PRODUCT DATUM -----
INDICATES CABINERY CLEARANCES -----

DATE: **08.12.2021**

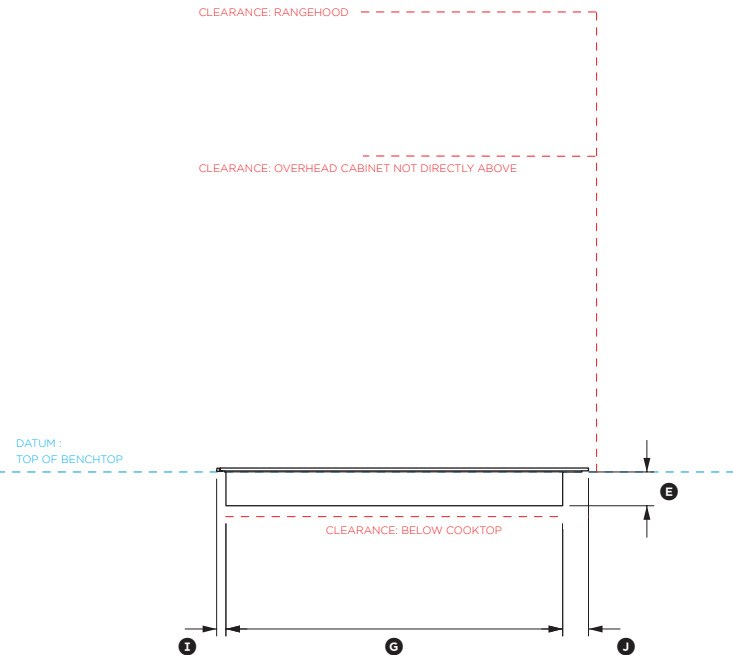
IMPORTANT NOTE: Throughout this guide, dimensions may vary by $\pm 2\text{mm}$ (1/16"). Please read the installation manual for detailed information on installing the product. For full installation instructions & specifications visit fisherpaykel.com



PLAN VIEW



FRONT VIEW



PROFILE VIEW



FISHER & PAYKEL

BLACK INDUCTION COOKTOP



CI302DTB, CI603DTB, CI604DTB,
CI764DTB, CI905DTB models

INSTALLATION GUIDE

NZ AU GB IE SG HK

⚠ WARNING!



Electric Shock Hazard

Failure to follow this advice may result in electric shock or death.

- Disconnect the appliance from the mains electricity supply before carrying out any work or maintenance.
- Connection to a good earth wiring system is essential and mandatory.
- Alterations to the domestic wiring system must only be made by a qualified electrician.

⚠ WARNING!



Cut Hazard

Failure to use caution could result in injury.

- Take care: some edges are sharp.

READ AND SAVE THIS GUIDE

General Use

- Read these instructions carefully before installing this product.
- Save these instructions for the local electrical inspector's use.
- Installation must comply with your local building and local electricity regulations.
- This appliance is to be installed and serviced only by Fisher & Paykel trained and supported service technician or qualified person.
- The manufacturer accepts no responsibility for the incorrect installation of appliances. Incorrect installation may result in personal injury, damage to property and may invalidate any warranty or liability claims.
- Do not modify this appliance.
- Do not use or store flammable materials on or near this appliance.
- Packing elements (eg plastic bags, polystyrene foam, staples, packing straps etc) and tools should not be left around during and after installation, especially if they are within easy reach of children, as these may cause serious injuries.
- Make sure you recycle the packaging material.
- Before disposing of any appliance, make sure that it can no longer be used and that all hazardous parts are removed or made harmless, so that children playing with the old appliance cannot harm themselves.
- Only genuine replacement parts may be used for servicing the appliance. These are available from your nearest Fisher & Paykel Service Center.
- This cooktop must be connected to the mains power supply only by a suitably qualified person.
- DO NOT use adapters, reducers, or branching devices when connecting the cooktop to the mains power supply to prevent overheating and fire.
- The power supply cable must not touch any hot parts and must be positioned so that its temperature will not exceed 75°C at any point.
- This cooktop requires adequate supply of cool air to fully function. The base of the cooktop must have direct unrestricted ventilation to the room where the cooktop is installed. There must be a 4mm air gap at the front of the cooktop. (See 'Venting Clearances' page)

INSTALLATION CONSIDERATIONS

BEFORE INSTALLATION

Before installation, please ensure the following:

- A suitable disconnection switch is incorporated in the permanent wiring, mounted and positioned to comply with the local wiring rules and regulations. A means of disconnection with at least a 3 mm air gap contact separation in all poles must be incorporated into the fixed wiring in accordance with the wiring rules, unless the local wiring rules allow for alternative means.
- The benchtop is made of a heat resistant material.
- The power supply cable is not accessible through cupboard doors or drawers.
- There is adequate flow of cool air from the cabinetry to the base of the cooktop. You may ventilate from adjacent cupboards, but ensure that the available air supply will not be restricted.
- The ventilation area must be at least 50mm diameter holes or of equivalent area.
- The isolating switch is easily accessible by the customer.
- Use heat-resistant and easy-to-clean finishes (such as ceramic tiles) for the wall surfaces surrounding the cooktop.
- The cooktop will not be installed directly above a dishwasher, fridge, freezer, washing machine or clothes dryer, as the humidity may damage the cooktop electronics.
- DO NOT install the cooktop directly above a dishwasher, fridge, freezer, washing machine or clothes dryer, as the humidity may damage the cooktop electronics.
- If the cooktop is installed above an oven, ensure the oven has a built-in cooling fan.
- Ensure the installation complies with all clearance requirements and applicable standards and regulations.
- Consult your local building authorities and by-laws if in doubt regarding the installation.
- To eliminate the risk of burns or fire by reaching over heated surface units, cabinet storage space located above the surface units should be avoided. If cabinet storage is to be provided, the risk can be reduced by installing a rangehood that projects horizontally a minimum of 127mm beyond the bottom of the overhead cabinets.

During installation, please ensure the following:

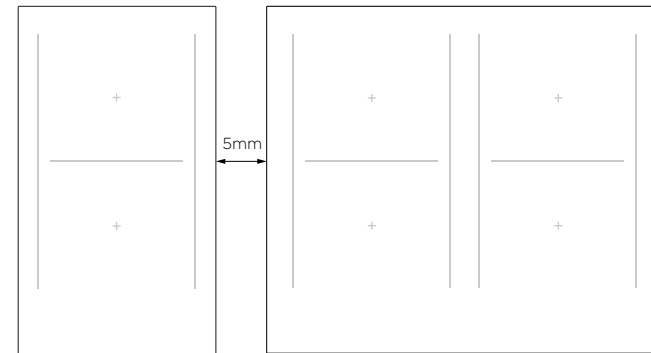
- Seal the exposed bare edges of the cutout with an oil-based paint or moisture-proof polyurethane to prevent possible moisture creeping between the cooktop trim and the benchtop.
- Take extreme care not to chip, crack, or break the top glass surfaces during installation. A heavy metal tool or part accidentally dropped on the glass could damage it.
- If, after following the instructions given, correct performance cannot be achieved, please contact your nearest Fisher & Paykel Service Centre, Customer Care, or contact us through our local website listed at the end of this document.

WARNING!

The owner carries all risk for flush mounting the cooktop. The owner must ensure the cooktop has been cut out from the countertop before servicing can be carried out. Fisher & Paykel will not be liable for any costs associated with removing or replacing a flush-mounted and/or sealed-in product, nor for repairing any damage that may be incurred by doing this.

PARTS SUPPLIED

MULTIPLE PRODUCT INSTALLATION

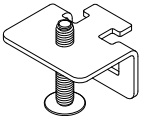


We recommend installing products in separate cutouts with a minimum distance of 5mm between the glass edges. If installing multiple products adjacent to each other within the same cutout, a separate joining strip kit is required for installation. The kit is available from the nearest Fisher & Paykel Authorised Service Centre or our website www.fisherpaykel.com.

If installing different products adjacent to each other (eg a wok burner next to an induction cooktop), the minimum clearance measurements for the different products may vary. Always use the greater distance.

COMPONENTS REQUIRED

PARTS SUPPLIED

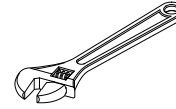


Clamping brackets
(4) and screws (4)
For CI302DTB only

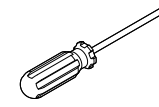


Foam tape (1)

TOOLS REQUIRED



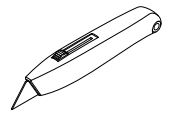
Wrench



Crosshead
screwdriver



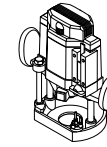
Silicone



Cutter

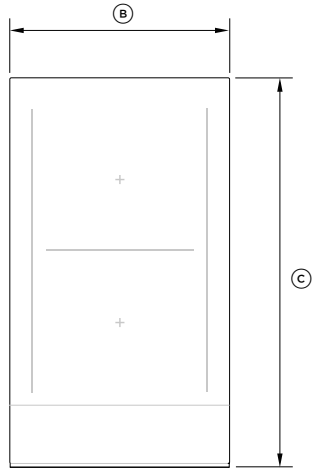


Hex key

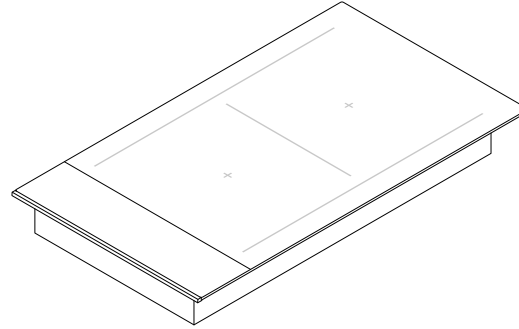


Router

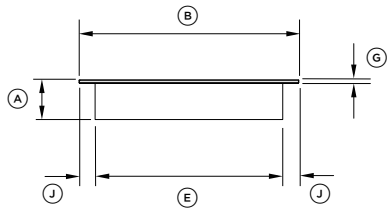
PRODUCT DIMENSIONS – 300MM MODELS



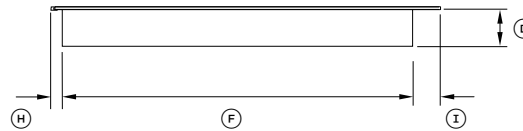
PLAN



ISOMETRIC



FRONT



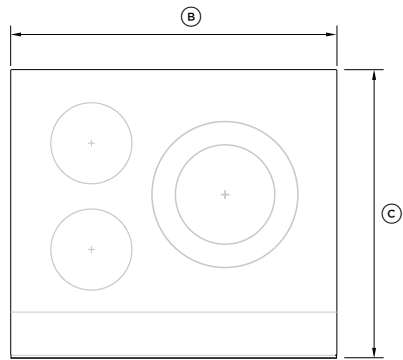
PROFILE

PRODUCT DIMENSIONS	CI302DTB
	MM
Ⓐ Overall height of cooktop	54
Ⓑ Overall width of cooktop	300
Ⓒ Overall depth of cooktop	530
Ⓓ Height of chassis	48
Ⓔ Width of chassis	260
Ⓕ Depth of chassis	480
Ⓖ Height of cooktop glass*	6
Ⓗ Depth of front overhang of cooktop glass**	13
Ⓘ Depth of rear overhang of cooktop glass	37
⓵ Depth of side overhang of cooktop glass	20

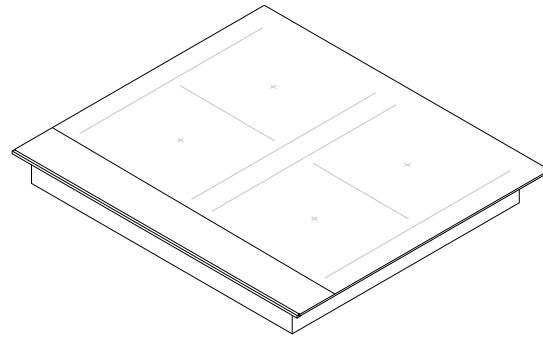
* Includes flange and tape

** Includes front trim

PRODUCT DIMENSIONS — 600MM MODEL



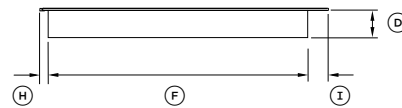
PLAN



ISOMETRIC



FRONT



PROFILE

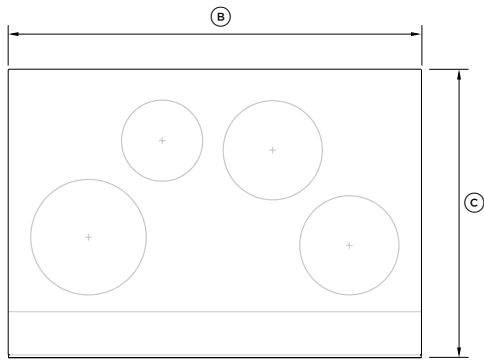
PRODUCT DIMENSIONS	CI603DTB	CI604DTB
	MM	MM
Ⓐ Overall height of cooktop	54	54
Ⓑ Overall width of cooktop	600	600
Ⓒ Overall depth of cooktop	530	530
Ⓓ Height of chassis	48	48
Ⓔ Width of chassis	552	552
Ⓕ Depth of chassis	480	480
Ⓖ Height of cooktop glass*	6	6
Ⓗ Depth of front overhang of cooktop glass**	13	13
Ⓘ Depth of rear overhang of cooktop glass	37	37
Ⓙ Depth of side overhang of cooktop glass	24	24

Illustrations show CI603DTB model cooktop.

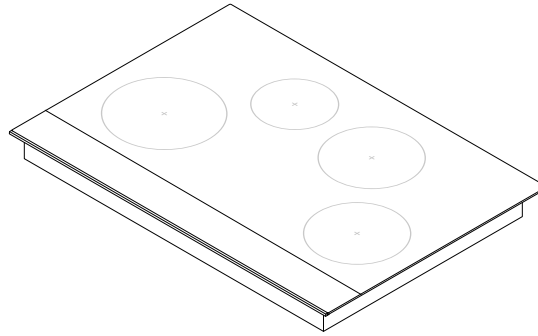
* Includes flange and tape

** Includes front trim

PRODUCT DIMENSIONS – 760MM MODEL



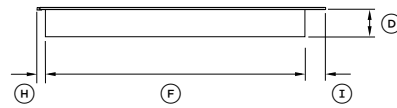
PLAN



ISOMETRIC



FRONT



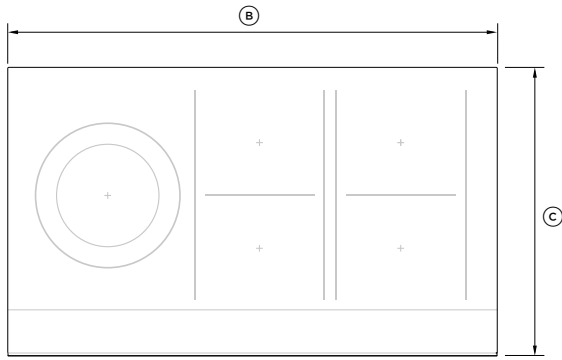
PROFILE

PRODUCT DIMENSIONS	CI764DTB
	MM
Ⓐ Overall height of cooktop	54
Ⓑ Overall width of cooktop	760
Ⓒ Overall depth of cooktop	530
Ⓓ Height of chassis	48
Ⓔ Width of chassis	722
Ⓕ Depth of chassis	480
Ⓖ Height of cooktop glass*	6
Ⓗ Depth of front overhang of cooktop glass**	13
Ⓘ Depth of rear overhang of cooktop glass	37
Ⓙ Depth of side overhang of cooktop glass	19

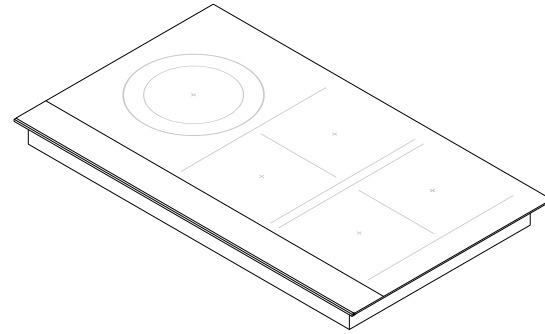
* Includes flange and tape

** Includes front trim

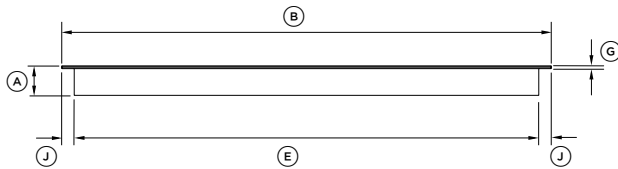
PRODUCT DIMENSIONS — 900MM MODEL



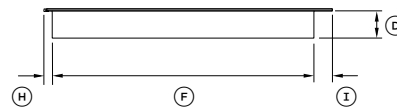
PLAN



ISOMETRIC



FRONT



PROFILE

PRODUCT DIMENSIONS	C1905DTB
	MM
Ⓐ Overall height of cooktop	54
Ⓑ Overall width of cooktop	900
Ⓒ Overall depth of cooktop	530
Ⓓ Height of chassis	48
Ⓔ Width of chassis	858
Ⓕ Depth of chassis	484
Ⓖ Height of cooktop glass*	6
Ⓗ Depth of front overhang of cooktop glass**	13
Ⓘ Depth of rear overhang of cooktop glass	33
⓵ Depth of side overhang of cooktop glass	21

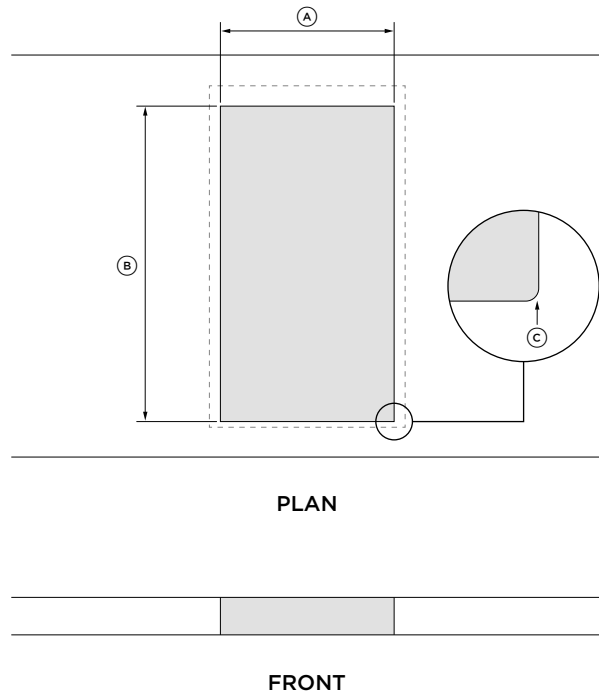
* Includes flange and tape

** Includes front trim

Actual product dimension may vary by ± 2 mm.

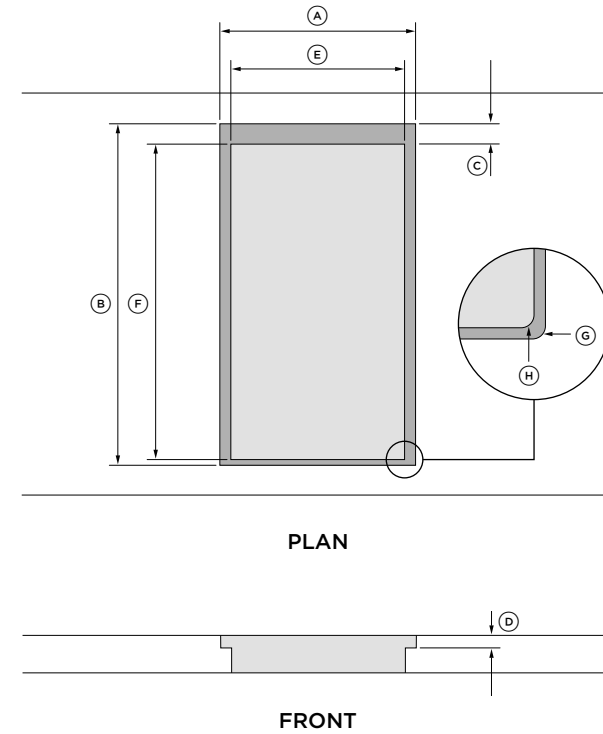
CUTOUT DIMENSIONS – 300MM MODEL

PROUD INSTALLATION



CUTOUT DIMENSIONS	CI302DTB
	MM
Ⓐ Overall width of cutout	265
Ⓑ Overall depth of cutout	490
Ⓒ Corner radius of cutout	max 10

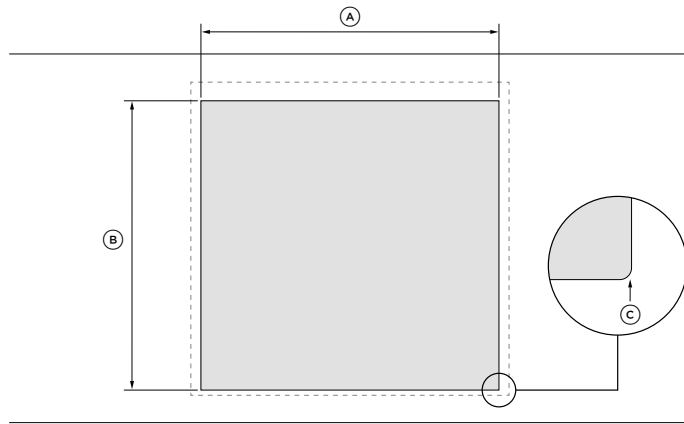
FLUSH INSTALLATION



CUTOUT DIMENSIONS	CI302DTB
	MM
Ⓐ Overall width of routed recess	305
Ⓑ Overall depth of routed recess	535
Ⓒ Offset overhang allowance	34
Ⓓ Height of routed recess	5
Ⓔ Width of cutout	265
Ⓕ Depth of cutout	490
Ⓖ Corner radius of routed recess	max 2
Ⓗ Corner radius of cutout	max 10

CUTOUT DIMENSIONS – 600MM MODEL

PROUD INSTALLATION



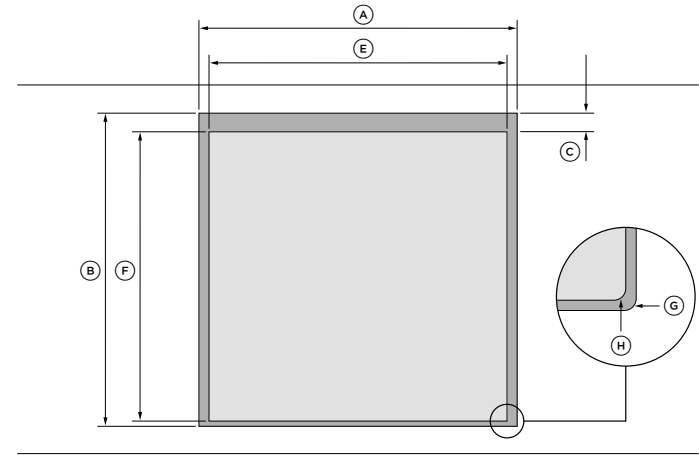
PLAN



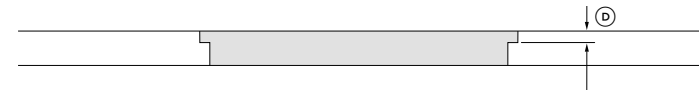
FRONT

CUTOUT DIMENSIONS	C1603DTB	C1604DTB
	MM	MM
Ⓐ Overall width of cutout	560	560
Ⓑ Overall depth of cutout	490	490
Ⓒ Corner radius of cutout	max 10	max 10

FLUSH INSTALLATION



PLAN

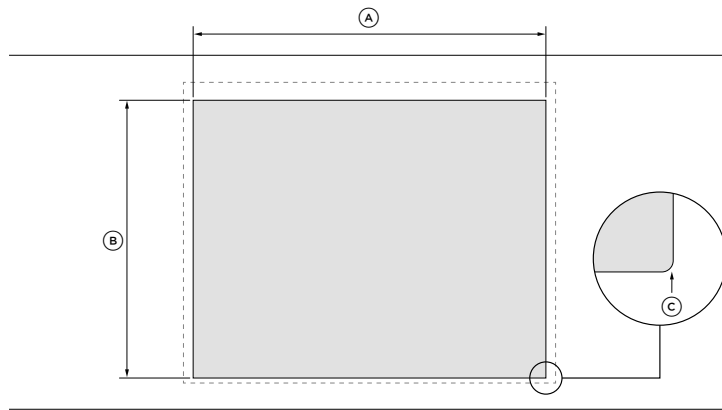


FRONT

CUTOUT DIMENSIONS	C1603DTB	C1604DTB
	MM	MM
Ⓐ Overall width of routed recess	605	605
Ⓑ Overall depth of routed recess	535	535
Ⓒ Offset overhang allowance	34	34
Ⓓ Height of routed recess	5	5
Ⓔ Width of cutout	560	560
Ⓕ Depth of cutout	490	490
Ⓖ Corner radius of routed recess	max 2	max 2
Ⓗ Corner radius of cutout	max 10	max 10

CUTOUT DIMENSIONS – 760MM MODEL

PROUD INSTALLATION



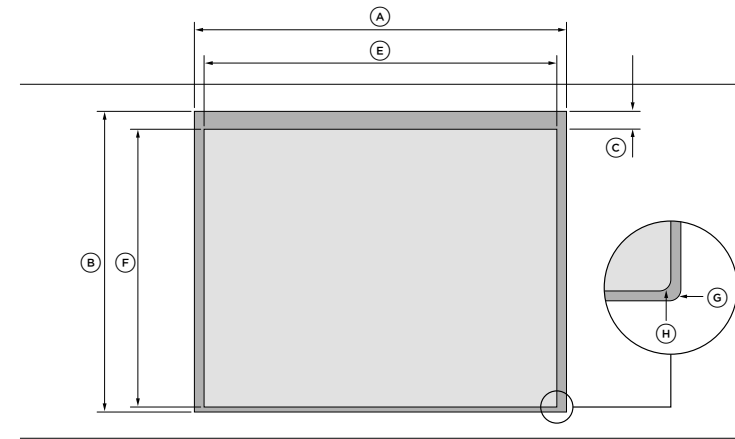
PLAN



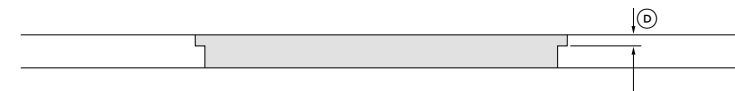
FRONT

CUTOUT DIMENSIONS	CI764DTB
	MM
Ⓐ Overall width of cutout	725
Ⓑ Overall depth of cutout	490
Ⓒ Corner radius of cutout	max 10

FLUSH INSTALLATION



PLAN

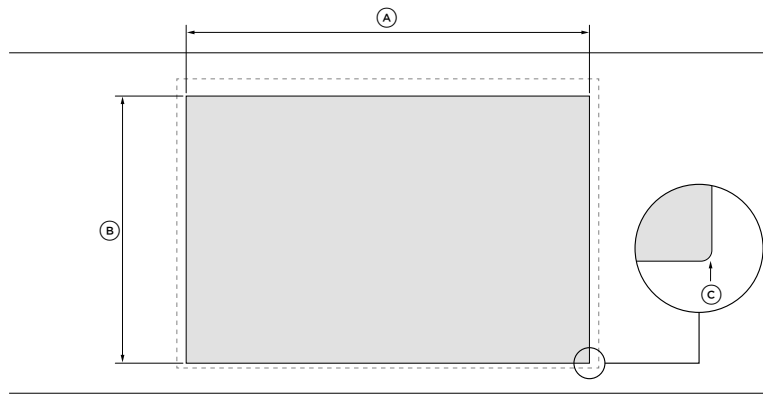


FRONT

CUTOUT DIMENSIONS	CI764DTB
	MM
Ⓐ Overall width of routed recess	765
Ⓑ Overall depth of routed recess	535
Ⓒ Offset overhang allowance	34
Ⓓ Height of routed recess	5
Ⓔ Width of cutout	725
Ⓕ Depth of cutout	490
Ⓖ Corner radius of routed recess	max 2
Ⓗ Corner radius of cutout	max 10

CUTOUT DIMENSIONS – 900MM MODEL

PROUD INSTALLATION

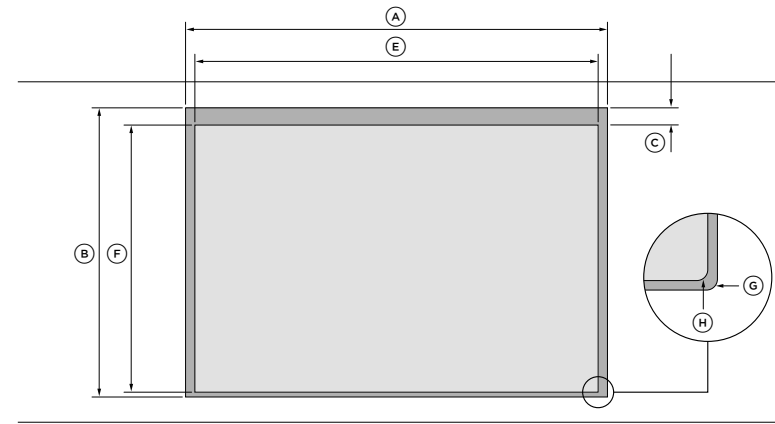


PLAN

FRONT

CUTOUT DIMENSIONS	CI905DTB
	MM
Ⓐ Overall width of cutout	870
Ⓑ Overall depth of cutout	494
Ⓒ Corner radius of cutout	max 10

FLUSH INSTALLATION

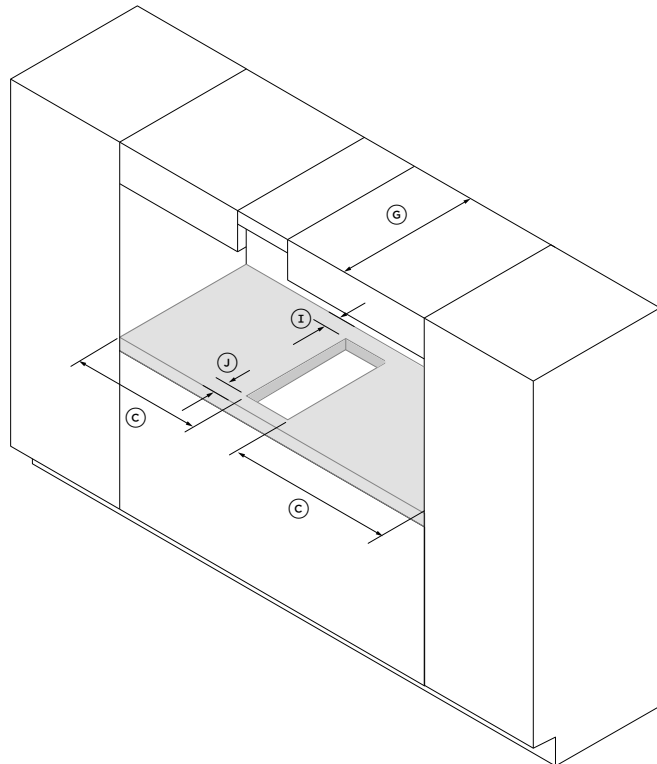
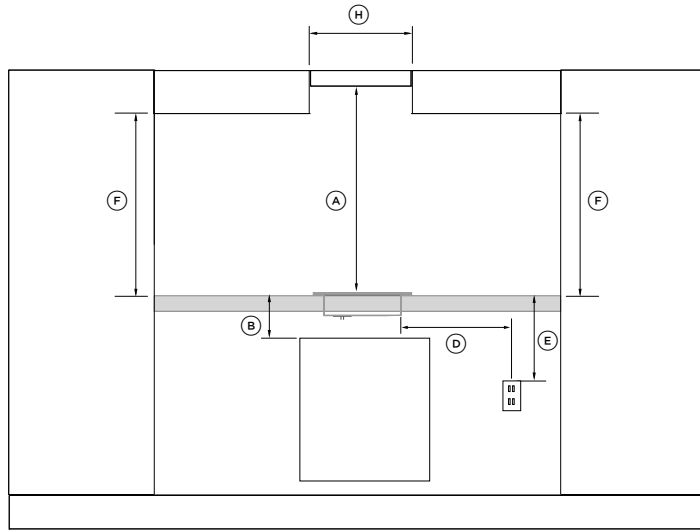


PLAN

FRONT

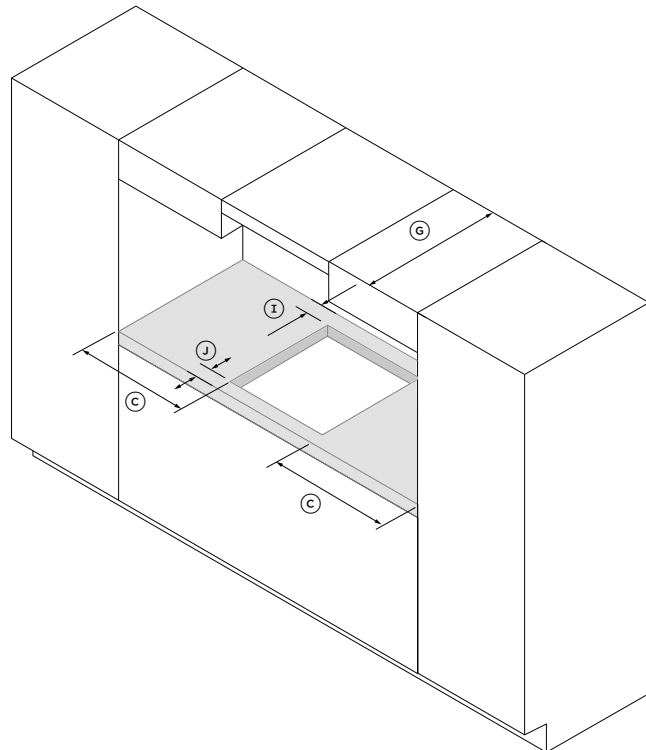
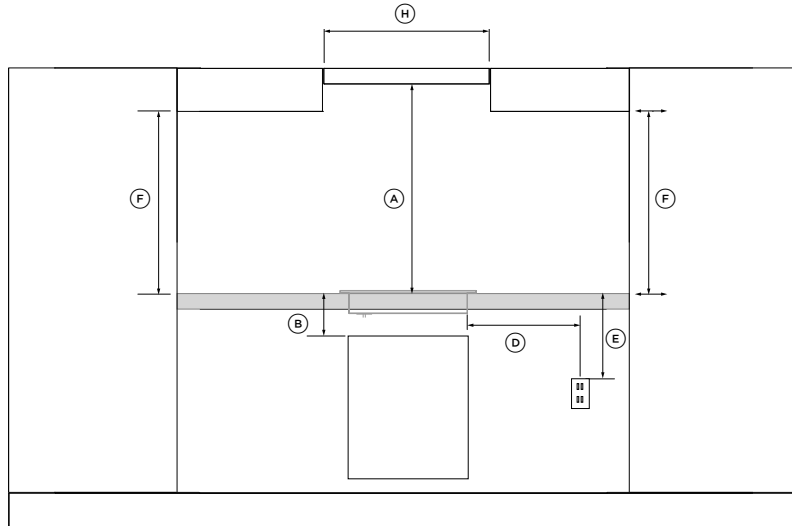
CUTOUT DIMENSIONS	CI905DTB
	MM
Ⓐ Overall width of routed recess	905
Ⓑ Overall depth of routed recess	535
Ⓒ Offset overhang allowance	30
Ⓓ Height of routed recess	5
Ⓔ Width of cutout	870
Ⓕ Depth of cutout	494
Ⓖ Corner radius of routed recess	max 2
Ⓗ Corner radius of cutout	max 10

CLEARANCE DIMENSIONS – 300MM MODEL



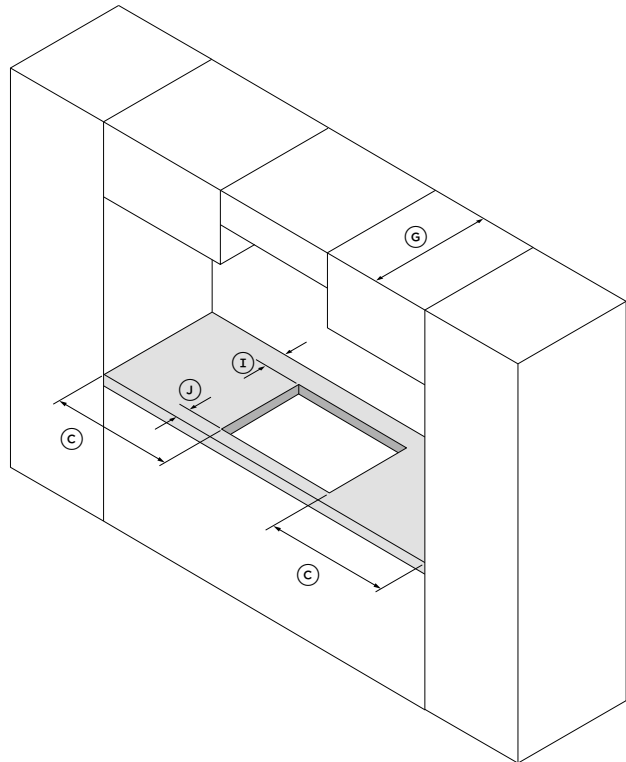
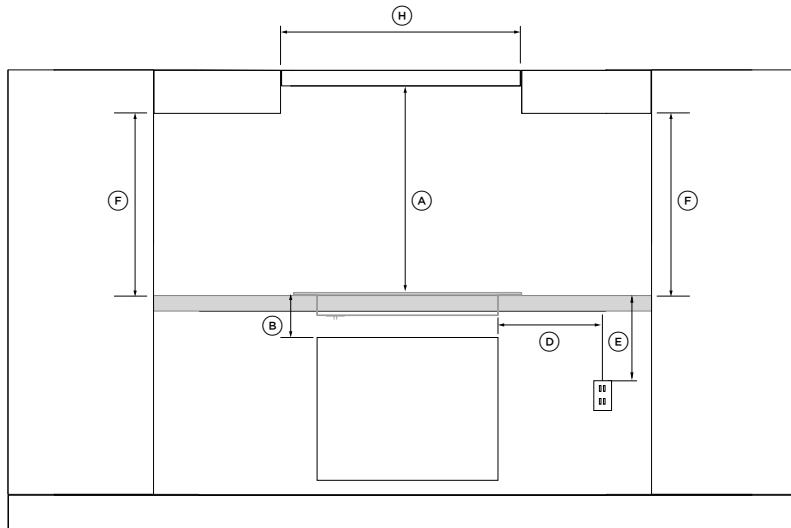
CLEARANCE DIMENSIONS	CI302DTB
	MM
Ⓐ Minimum clearance from glass surface to rangehood	650
Ⓑ Minimum clearance below top of countertop to top of any appliance, companion product or obstruction below cooktop	65
Ⓒ Minimum clearance from side edges of cutout to nearest combustible surface	30
Ⓓ Maximum distance from right edge of cutout to center of junction box	762
Ⓔ Minimum clearance below top of countertop to junction box	230
Ⓕ Minimum clearance from countertop to overhead cabinet (not directly above the cooktop)	450
Ⓖ Maximum depth of overhead cabinetry	330
Ⓗ Minimum distance between overhead cabinets (centered above the cooktop)	300
Ⓘ Minimum clearance from rear edge of cutout to nearest combustible surface	39
⓵ Minimum clearance from front edge of cutout to front edge of counter	35

CLEARANCE DIMENSIONS – 600MM MODEL



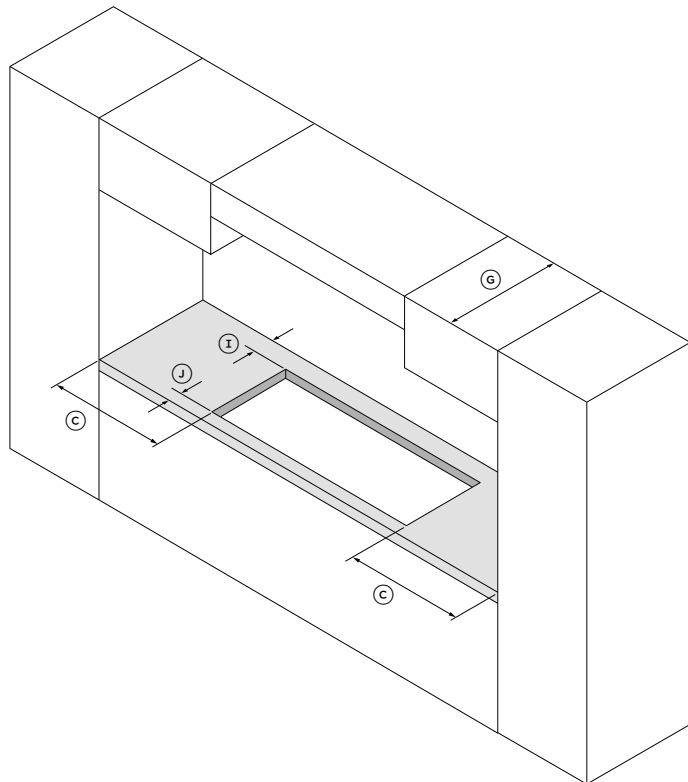
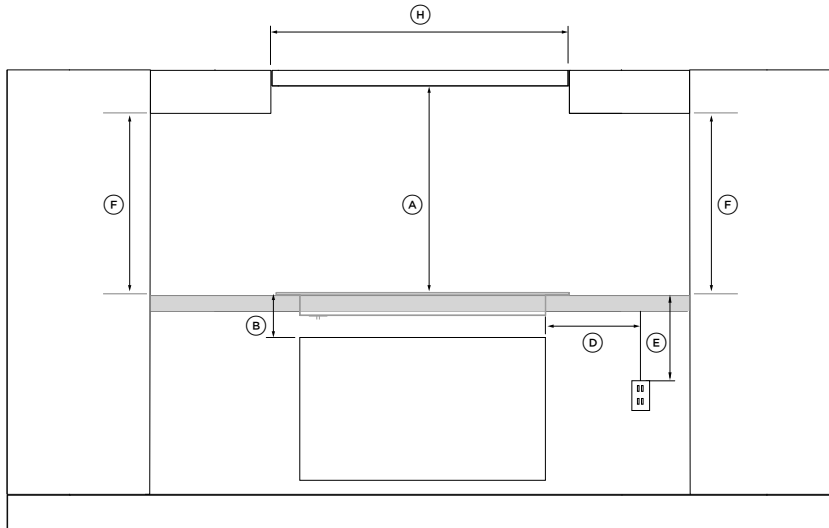
CLEARANCE DIMENSIONS	CI603DTB	CI604DTB
	MM	MM
(A) Minimum clearance from glass surface to rangehood	650	650
(B) Minimum clearance below top of countertop to top of any appliance, companion product or obstruction below cooktop	65	65
(C) Minimum clearance from side edges of cutout to nearest combustible surface	30	30
(D) Maximum distance from right edge of cutout to center of junction box	762	762
(E) Minimum clearance below top of countertop to junction box	230	230
(F) Minimum clearance from countertop to overhead cabinet (not directly above the cooktop)	450	450
(G) Maximum depth of overhead cabinetry	330	330
(H) Minimum distance between overhead cabinets (centered above the cooktop)	600	600
(I) Minimum clearance from rear edge of cutout to nearest combustible surface	39	39
(J) Minimum clearance from front edge of cutout to front edge of counter	35	35

CLEARANCE DIMENSIONS – 760MM MODEL



CLEARANCE DIMENSIONS	CI764DTB
	MM
Ⓐ Minimum clearance from glass surface to rangehood	650
Ⓑ Minimum clearance below top of countertop to top of any appliance, companion product or obstruction below cooktop	65
Ⓒ Minimum clearance from side edges of cutout to nearest combustible surface	30
Ⓓ Maximum distance from right edge of cutout to center of junction box	762
Ⓔ Minimum clearance below top of countertop to junction box	230
Ⓕ Minimum clearance from countertop to overhead cabinet (not directly above the cooktop)	450
Ⓖ Maximum depth of overhead cabinetry	330
Ⓗ Minimum distance between overhead cabinets (centered above the cooktop)	760
Ⓘ Minimum clearance from rear edge of cutout to nearest combustible surface	39
⓵ Minimum clearance from front edge of cutout to front edge of counter	35

CLEARANCE DIMENSIONS – 900MM MODEL

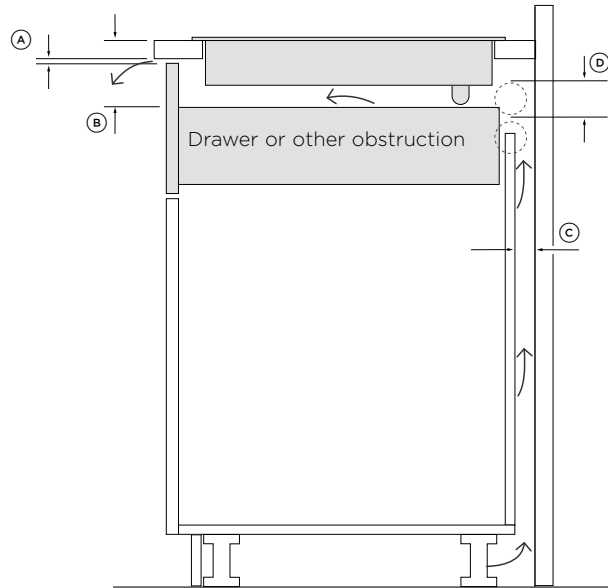


CLEARANCE DIMENSIONS	C1905DTB
	MM
Ⓐ Minimum clearance from glass surface to rangehood	650
Ⓑ Minimum clearance below top of countertop to top of any appliance, companion product or obstruction below cooktop	65
Ⓒ Minimum clearance from side edges of cutout to nearest combustible surface	30
Ⓓ Maximum distance from right edge of cutout to center of junction box	762
Ⓔ Minimum clearance below top of countertop to junction box	230
Ⓕ Minimum clearance from countertop to overhead cabinet (not directly above wwtthe cooktop)	450
Ⓖ Maximum depth of overhead cabinetry	330
Ⓗ Minimum distance between overhead cabinets (centered above the cooktop)	900
Ⓘ Minimum clearance from rear edge of cutout to nearest combustible surface	35
⓵ Minimum clearance from front edge of cutout to front edge of counter	35

VENTING CLEARANCES

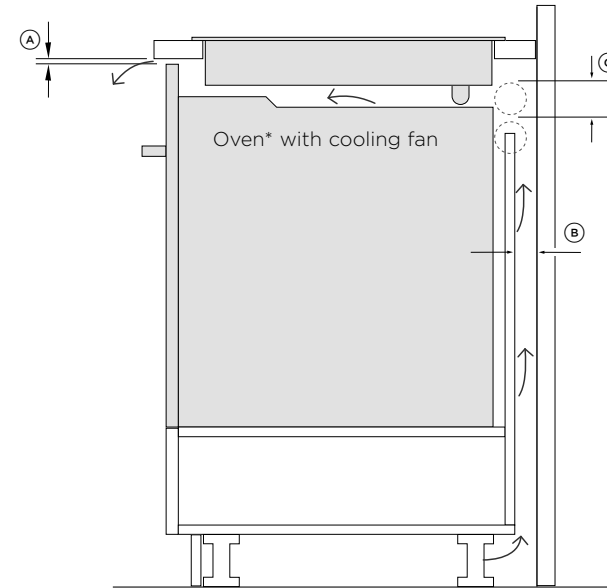
DRAWER OR OTHER OBSTRUCTION

This cooktop requires adequate supply of cool air to fully function. The base of the cooktop must have direct unrestricted ventilation to the room where the cooktop is installed. There must be a 4mm air gap at the front of the cooktop.



CLEARANCE DIMENSIONS	MM
Ⓐ Minimum ventilation gap at the front of the cooktop	4
Ⓑ Minimum clearance from cooktop to drawer or other obstruction	65
Ⓒ Minimum ventilation gap at the rear of the cooktop	20
Ⓓ Minimum diameter of cooling air hole	50

OVEN WITH COOLING FAN

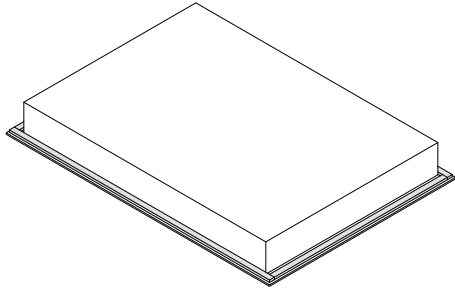


CLEARANCE DIMENSIONS	MM
Ⓐ Minimum ventilation gap at the front of the cooktop	4
Ⓑ Minimum ventilation gap at the rear of the cooktop	20
Ⓒ Minimum diameter of cooling air hole	50

*Some ovens require installation in a sealed box. Please refer you oven installation guide for more information.

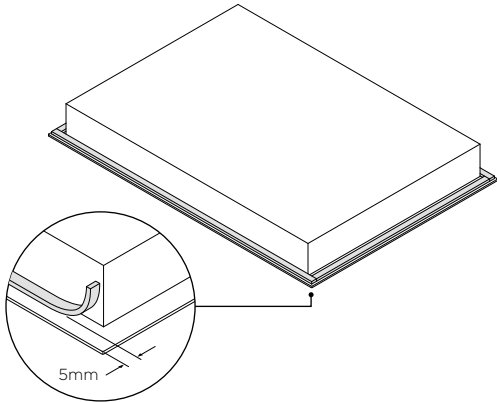
PROUD INSTALLATION

1



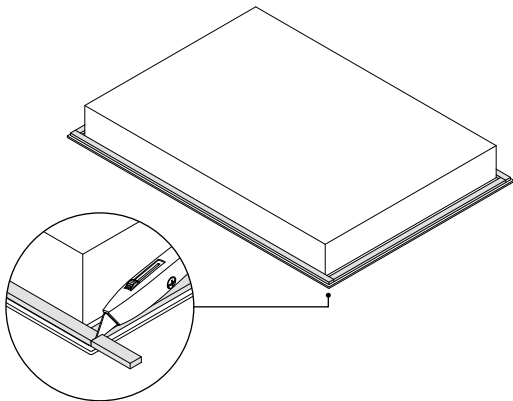
Turn the cooktop upside down on a protective cover.

2



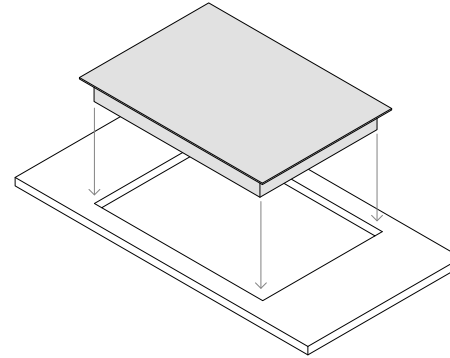
Apply adhesive foam seal around the glass overhang, 5mm from the edge of the glass.
Ensure the adhesive side facing is down to form a continuous seal around the cooktop.

3



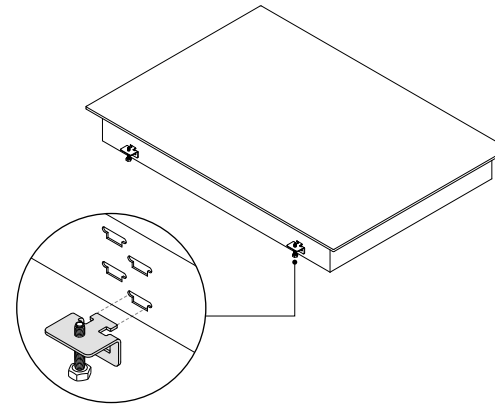
Trim the excess sealing material using a sharp cutter or trimmer knife.
Take care not to damage the benchtop.

4



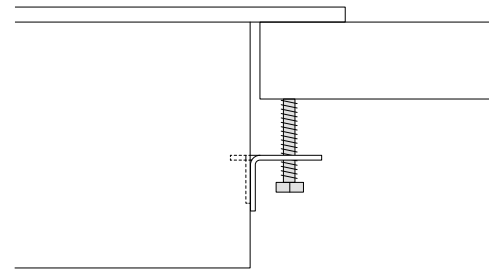
Gently lower the cooktop into the cutout ensuring you have access below the countertop to fit and secure the brackets.

5



Locate the side brackets* to the appropriate slots on the cooktop chassis. The correct slot height is determined by the thickness of your countertop.

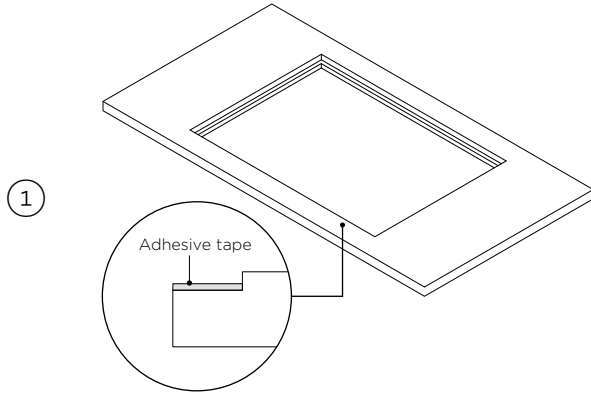
6



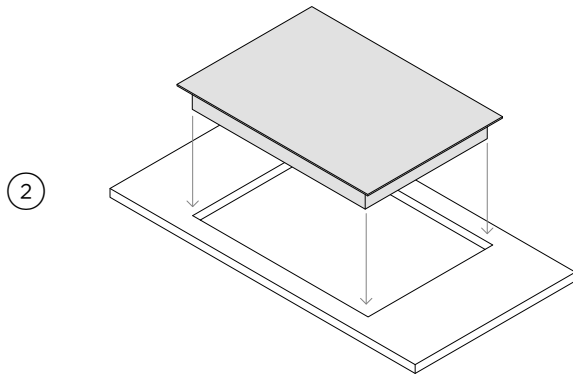
Tighten all screws to secure the cooktop to the countertop.
Ensure cooktop is level.

*The number of brackets varies based on your cooktop model.

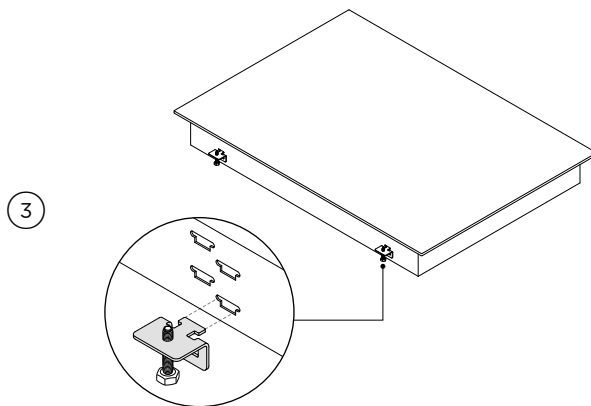
FLUSH INSTALLATION



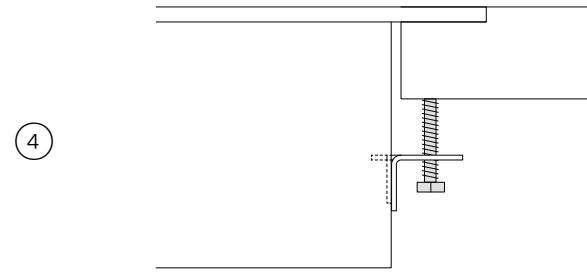
Prepare the countertop for flush installation. Use a router to cut out the edges of the countertop to specified depth (5mm). Attach an adhesive tape along the edges of the routed recess.



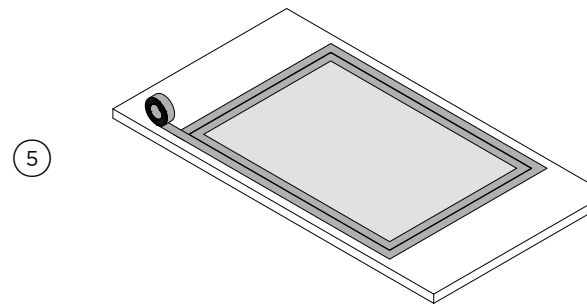
Gently lower the cooktop into the cutout ensuring you have access below the countertop to fit and secure the brackets.



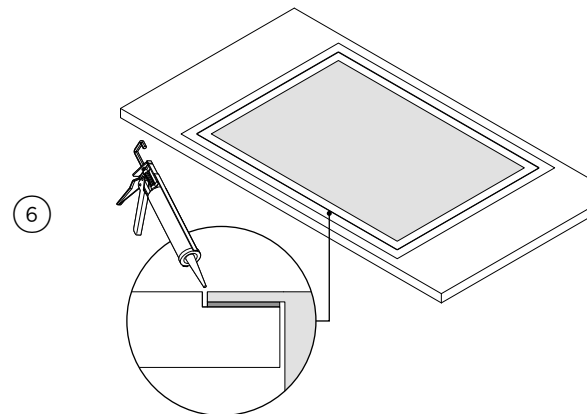
Locate the side brackets* to the appropriate slots on the cooktop chassis. The correct slot height is determined by the thickness of your countertop.



Tighten all screws to secure the cooktop to the countertop. Ensure cooktop is level.



Mask off the area to be siliconed ensuring both the cooktop and countertop are protected.



Apply silicone in the gap between benchtop and cooktop. Wipe off excess silicone.

ELECTRICAL CONNECTION

Before connecting the cooktop to the mains power supply check that:

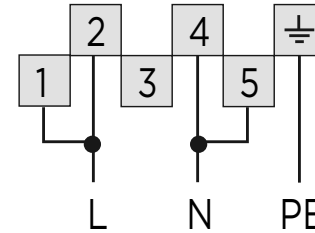
- The domestic wiring system is suitable for the power drawn by the cooktop.
- The voltage corresponds to the value given in the rating plate.
- The power supply cable sections can withstand the load specified on the rating plate.

MODEL	MAX. CURRENT DRAW	MAX. LOAD	VOLTAGE
CI302DTB*	16A	3700W	220-240V ~
CI603DTB	32A	7050W	220-240V 2N ~ 380-415V 2N ~
CI604DTB	32A	7050W	220-240V 2N ~ 380-415V 2N ~
CI764DTB	32A	7400W	220-240V 2N ~ 380-415V 2N ~
CI905DTB	43A	9800W	220-240V 3N ~ 380-415V 3N ~

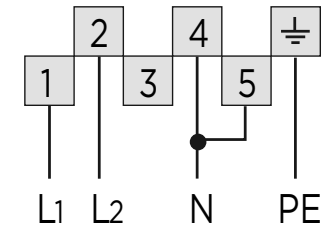
*The CI302DTB is supplied with a cable. This must be wired into a suitably rated plug, permanent connection outlet or power isolator.

..... CI302DTB, CI603DTB, CI604DTB & CI764DTB MODELS

Single-phase connection (220-240V~)

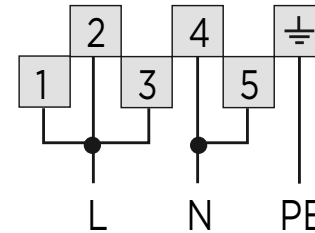


Two-phase connection (380-415V 2N~)

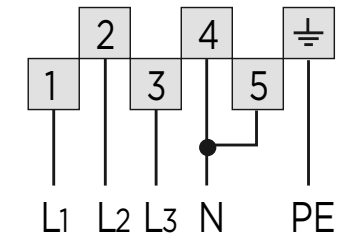


..... CI905DTB MODELS

Single-phase connection (220-240V~)



Three-phase connection (380-415V 3N~)



INSTALLER CHECKLIST

TO BE COMPLETED BY THE INSTALLER

GENERAL

- Read safety and warnings in the user guide before operating the cooktop.
- Specified clearance maintained.
- Unit is level – front to back and side to side.
- All packaging materials have been removed.
- There is constant flow of cool air from the cabinetry to the base of the cooktop.
- Cooktop is securely clamped.
- Basic operation has been demonstrated to the customer.
- Cooking zones are functioning correctly. Turn on all of them to a high setting and leave them on for at least one minute.
- Touch controls and displays are functioning.

ELECTRICAL

- Receptacle with correctly rated over-current protection is provided for service cord connection.
- Adequate ground connection.
- Power supply cable is accessible and is not touching the cooktop.

Complete and keep for safe reference:

Model _____

Serial No. _____

Purchase Date _____

Purchaser _____

Dealer Address _____

Installer's Name _____

Installer's Signature _____

Installation Company _____

Installation Date _____

FISHERPAYKEL.COM

© Fisher & Paykel Appliances 2020. All rights reserved.

The models shown in this guide may not be available in all markets
and are subject to change at any time.

The product specifications in this guide apply to the specific products and
models described at the date of issue. Under our policy of continuous product
improvement, these specifications may change at any time.

For current details about model and specification availability in your country,
please go to our website or contact your local Fisher & Paykel dealer.

592132C 10.20

**Serie | 2, free-standing dishwasher, 60 cm, White
SMS2ITW01A**



HomeConnect dishwasher giving users better control, management and information than ever before

- **ExtraDry:** option for additional drying.
- **Home Connect:** home appliances with smart connectivity for an easier everyday life.
- **Favourite function:** personalized function by just one touch even for downloaded programs.
- **Child door lock:** Prevents accidental opening of the dishwasher.
- **EcoSilence Drive:** especially energy-saving and silent in operation with a particularly high life span

Technical Data

Water consumption (l) :	12.7
Built-in / Free-standing :	Free-standing
Height of removable worktop (mm) :	30
Dimensions of the product (HxWxD) :	845 x 600 x 600
Depth with open door 90 degree (mm) :	1155
Adjustable feet :	Yes - all
Maximum adjustability feet (mm) :	20
Net weight (kg) :	46.761
Gross weight (kg) :	48.0
Connection Rating (W) :	2400
Current (A) :	10
Voltage (V) :	220-240
Frequency (Hz) :	50; 60
Length electrical supply cord (cm) :	175
Plug type :	AU plug
Length inlet hose (cm) :	165
Length outlet hose (cm) :	190
EAN code :	4242005226832
Number of place settings :	13
Energy consumption (kWh) :	0.69
Total cycle time of reference programme (min) :	175
Noise level (dB) :	48
Installation typology :	Built-under



4 242005 226832

Serie | 2, free-standing dishwasher, 60 cm, White SMS2ITW01A

HomeConnect dishwasher giving users better control, management and information than ever before

Capacity

- Capacity: 13 place settings

Consumption rates

- 3.5 Star energy rating, 4 Star WELS water rating
- 12.7 litres water consumption per wash and 255 kWh energy consumption per year, based on the Eco AU 45 °C program with a cold water connection

Design

- Polinox inner tub: The Polinox inner tub is extremely durable, odourless and rust-free. German engineered with robust materials that withstand dints, scratches and discolouration, based on 10 year simulation tests.

Wash Programs and Options

- 5 programmes:
 - Eco Wash : Energy efficient wash & dry. Mixed loads & soil levels 45 °C,
 - Auto Wash: Automatic wash & dry. Mixed loads & soil levels 45-65 °C,
 - Pots and Pans : For heavily soiled dishes 70 °C,
 - Quick 1hr : Quick wash & dry. Mixed loads & soil levels. 65 °C,
 - Favourite: Set or download your favourite combination
- Special options:
 - Extra Dry: Provides an even better drying result by extending the drying time
 - HygienePlus : Extended increased temperature program for hygienic cleaning
 - SpeedPerfect : Reduce wash time even after cycle has started
- Machine Care: maintains your dishwasher's optimum performance and hygiene option

Performance

- DosageAssist™: Maximises the effectiveness of detergent tablets. The tablet is dropped into a specially engineered tray and is completely dissolved. For superior cleaning performance and a quieter wash.
- EcoSilence Drive® quiet and energy-efficient brushless motor (BLDC)
 - BLDC Main Pump: Variable water & spray pressure to achieve optimum cleaning results
 - BLDC Drain Pump: Fast and extra quiet draining of water, no gargling sounds
- AutoBrilliance™: Automatic detergent and rinse aid sensor
- 3 stage self-cleaning filter system: design that helps reduce the need to wash the filter and prevents blockages
- 5 Spray levels for maximum water contact and optimum wash results

Flexibility

- Low friction wheels on bottom basket
- Rack Stopper to prevent derailing of bottom basket
- Cutlery basket in bottom basket
- 2 foldable cup shelves in top basket
- Glass holder in top basket

Convenience

- Very quiet operation - 48 dB
- HomeConnect via WiFi Connectivity
- Wash program status on display panel

Safety

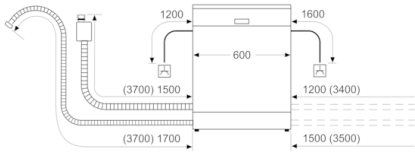
- Child door lock
- AquaStop™ Plus: Water supply device with lifetime anti-flood protection

Product Dimensions (H x W x D)

- H: 845 mm x W: 600 mm x D: 600 mm

**Serie | 2, free-standing dishwasher, 60 cm,
White
SMS2ITW01A**

measurements in mm



socket
() values with extension kit

564L quad door fridge, matte charcoal black, 4 star energy, FreshSeal™ sealed crisper with manual humidity control and sphere ice tray.



Product Details

FEATURES

4 Star Energy Efficiency

FreshSeal Crisper

Manual humidity controlled
crisper

Sphere ice tray

Multi-flow airflow system

Full Width Door Bins

SpillSafe™ glass shelves

BENEFITS

Outstanding 4-star energy rating

Our 4-star energy rating means better efficiency and savings for your family. You can save up to \$225 in running costs over 10 years*. *Savings indicative based on average NSW 24.8c/kWH vs 3-star energy rating (see Energy Rating Calculator)

Seal in the Freshness

Our FreshSeal™ crispers are sealed and come with a humidity slide that you control. The seals assist in preventing moisture loss whilst the humidity slide assists in creating the right environment for keeping food fresher for longer.

Stay refreshingly cool

Keep your drinks ice cold thanks to our sphere ice tray. With plenty of ice available for all and the slow melting nature of larger sphere ice, you and your family can enjoy ice-cold drinks anytime.

A show stopper

Make your new French door fridge the centrepiece of the kitchen. With a new sleek, flat door design and pocket handles for easy opening, you will be stopped in your tracks every time you see it.

Maximise the space, your way, and without compromise

Our fridges allow you to decide how you want your fridge installed. Use the cabinet flush option to create a seamless flow with your kitchen cabinetry. Alternatively, lineup the fridge with the doors just outside the cabinet to maximise the space you have available. Either option does not compromise on your access to the fridge or freezer with wide door openings on both.

Freshness with multi-flow airflow

The multiflow airflow system maintains an even temperature throughout - keeping your food fresher for longer

Easy to clean

Spills happen, but when they do, the world doesn't have to end.

The Westinghouse SpillSafe™ glass shelves help with the mess by containing the spilt liquid to one shelf, so you have less to clean.

Specifications

PRODUCT PROFILE

Domestic warranty details (yrs)	2
Refrigerator Type	quad door
Exterior door finish	Matte black
Handle design	integrated
Fridge door opening	left and right
Cooling system	frost free
Freezer door opening	left and right
Refrigerant	R600a
Compressor	Inverter

DIMENSIONS

Total height (mm)	1795
Cabinet height (mm)	1776
Total width (mm)	896
Cabinet width (mm)	890
Total depth (mm)	726
Cabinet depth (mm)	643
Depth door open 90degree (mm)	1104
Food Compartment Capacity (L) - AS/NZS 4474.1 2007 (IEC 62552-2015) *	411
Freezer Compartment Capacity (L) - AS/NZS 4474.1 2007 (IEC 62552-2015) *	157
Total Capacity (L) - AS/NZS 4474.1 2007 (IEC 62552-2015) *	564
Height adjustable feet	Yes

ENERGY

Energy Star Rating - AS/NZS 4474.1 2007 (IEC 62552- 2015) *	4.0
Energy Consumption (kWh/year) - AS/NZS 4474.1 2007 (IEC 62552- 2015) *	406

FOOD COMPARTMENT

SHELVING

Shelf material	glass
Number of shelf levels	3
Type of shelf	spill safe shelf

LIGHTING

Feature lighting	LED
Main light	LED

REFRIGERATOR SYSTEM

Controls	electronic (with display)
Controls location	internal
Controls type	touch
Control functions	quick freeze function,holiday mode,quick chill,drinks chill
Door alarm	fridge

CRISPERS

Crisper lid/shelf	plastic
Crispers Runner system	rollers
Crisper features	humidity controlled,fully sealed

OTHER PROPERTIES

Other Properties-FOOD COMPARTMENT	Deodoriser
-----------------------------------	------------

FOOD COMPARTMENT DOOR

BINS

Deep bottle bin	2
-----------------	---

FREEZER COMPARTMENT

ICE FACILITY

Ice sphere tray	1
-----------------	---

OTHER PROPERTIES

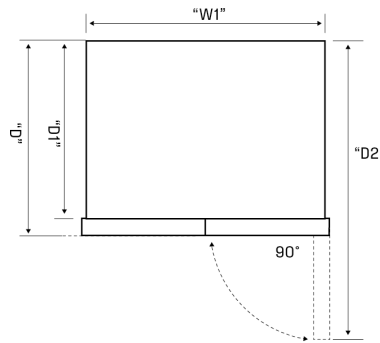
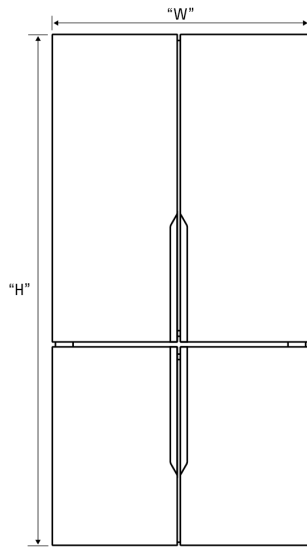
Bin mounting system	lug mounted
---------------------	-------------

BASKET/DRAWER

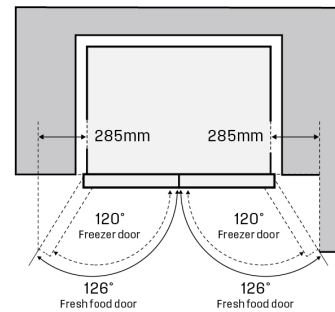
Full width freezer drawer	6
---------------------------	---

Basket/Drawer runner system	suspended
-----------------------------	-----------

Dimensions



When positioned in a corner area, spacing of at least 285mm on the hinge side will allow the doors to open enough to enable the removal of bins and shelves.

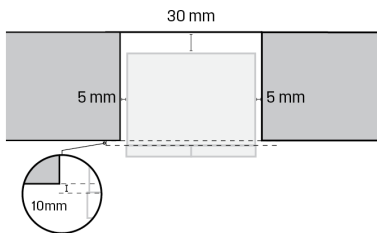


Installation options for optimal aesthetics :

Minimum side clearance kitchen cabinet

Fridge body must sit 10mm proud of kitchen cabinetry.

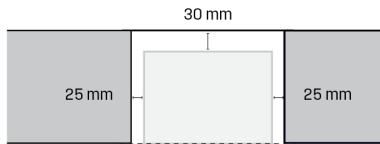
Minimum cabinetry opening (WxDxH) : 900mm x 649mm x 1800mm



Front of fridge body in line with kitchen cabinet

Side clearance must be 25mm either side of fridge body, to have the fridge doors sitting proud of the kitchen cabinetry.

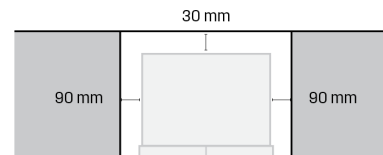
Minimum cabinetry opening (WxDxH) : 940mm x 659mm x 1800mm



Fridge door flush with the cabinetry

Side clearance must be 90mm either side of the fridge, to have the fridge doors sitting flush with the kitchen cabinetry.

Minimum cabinetry opening (WxDxH) : 1070mm x 741mm x 1800mm



Please note : Top gap all 5 mm.

Dimensions	Product Height	Product Width	Product Depth	Product Depth (Door Open)
WQE5600BB	1795	896	726	1104

Door Flush (Depth include product doors)	Side - both	Top	Behind
WQE5600BB	90	5	30

Cabinet Flush	Side - both	Top	Behind
WQE5600BB	25	5	30

IMPORTANT

These dimensions are a guide only. All measurements are in millimetres (mm). For complete installation instructions, refer to the manual provided with product.

Terms and Conditions

IMPORTANT

This is a guide of product dimensions only. For complete installation instructions, refer to the manual provided with product.

PRODUCT INFORMATION

The descriptors and illustrations in this publication apply to the specific products and models described as at the date of issue. Under our policy of continuous product development, product specifications may change without notice. Prospective purchasers should therefore check with their retailer to ensure this publication correctly describes the products that are being offered for sale. All information supplied is to be used for general reference purposes only and is on the understanding that Electrolux Home Products Pty Ltd (Australia) and Electrolux (NZ) Ltd (New Zealand) will not be liable for any loss, liability or damage of whatever kind arising as a result of reliance on such information. Colours of products illustrated are as close as printing limitations allow. Electrolux will at all times comply with its obligations pursuant to law including Trade Practices (Australian Consumer Law) Act and Regulations.

WARRANTY

This warranty only applies to Appliances purchased and used in Australia or New Zealand and used in normal domestic applications and is in addition to (and does not exclude, restrict, or modify in any way) any non-excludable statutory warranties in Australia or New Zealand. All warranties are subject to the conditions set out in the warranty card accompanying the product when purchased.

ELECTROLUX HOME PRODUCTS AUSTRALIA

telephone: 1300 363 640

fax: 1800 350 067

email: customercare@electrolux.com.au

web: www.electrolux.com.au

ELECTROLUX HOME PRODUCTS NEW ZEALAND

telephone: 09 573 2230

fax: 09 573 2221

email: customercare@electrolux.co.nz

web: www.electrolux.co.nz

Logis

Single lever kitchen mixer 160

Surfaces: **chrome** Article Number: **71832000**



Description

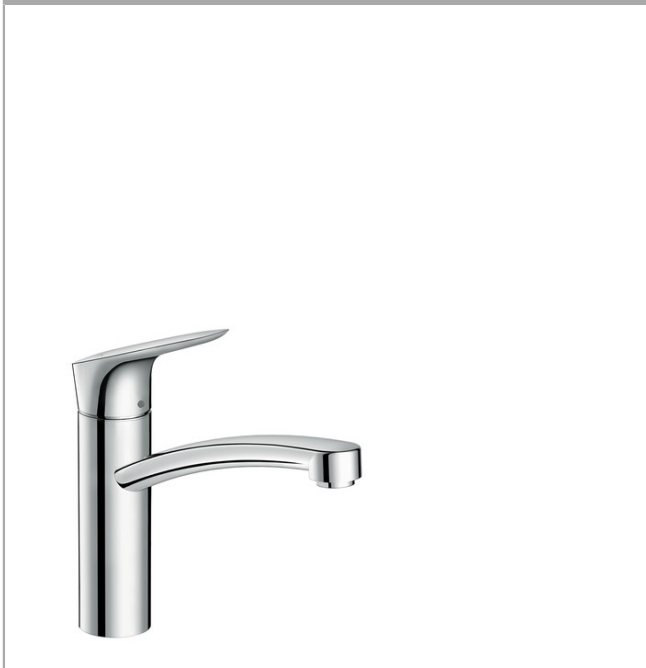
product features

- ComfortZone 160
- swivel range 360°
- normal spray
- connection dimension: DN15
- flow rate 12 l/min
- ceramic cartridge
- connection type: G 3/8 connections
- suitable for continuous flow water heaters

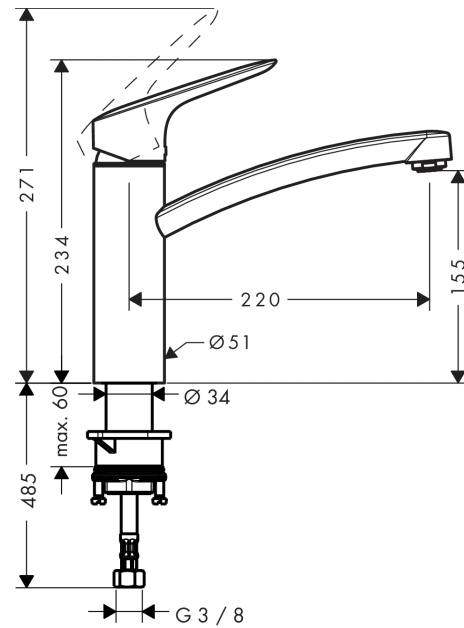
Technology



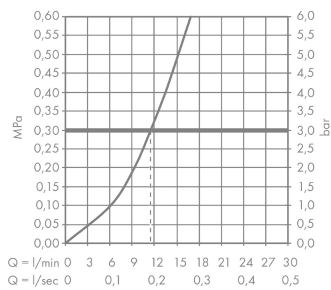
Product image



Scale drawing



Flowchart



Oven, 60cm, 9 Function, Self-cleaning

Series 7 | Contemporary

Black

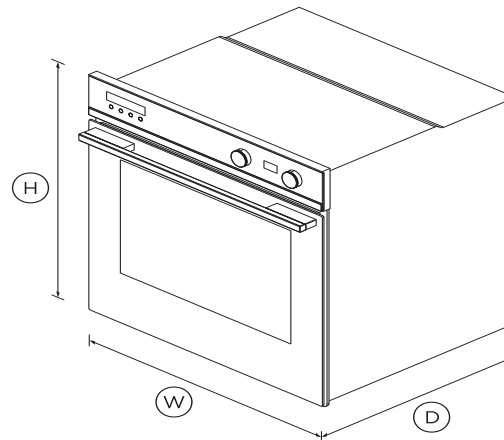


With generous capacity and beautiful black Contemporary styling, this built-in oven will complement your kitchen design perfectly.

- 85L total capacity, with 9 oven functions including Pizza Bake and Roast
- Moisture level control with ActiveVent™ technology
- Pyrolytic self-cleaning function breaks down food residue for an easy clean

DIMENSIONS

Height	598mm
Width	596mm
Depth	565mm



FEATURES & BENEFITS

Multi-Function Flexibility

Nine functions including Roast, Pizza Bake and Fan Grill mean no matter what you're cooking, you've got the right heat to match.

Beauty of choice

With the choice of stylish stainless steel or elegant black, you can choose the finish that complements your kitchen design best.

Generous capacity

With a generous-sized internal cavity, you can create several

dishes at once using multiple shelves.

Activevent Technology

With ActiveVent technology for optimised moisture levels and AeroTech™ for even heat distribution, you'll get perfect results even when using multiple shelves.

Simple cleaning

Pyrolytic self-clean breaks down food residue at a very high temperature, leaving a light ash that's easily removed with a damp cloth.

Safe and sound

The CoolTouch door features triple glazing and a cooling system that ensures it's safe to touch from the outside – protecting both your hands and the surrounding cabinetry.

SPECIFICATIONS

Accessories

Grill rack	1 set
Roasting dish	1
Smokeless grill tray	1
Step down wire shelf	1

Accessories (sold separately)

Optional round handle	Part 81645
-----------------------	------------

Capacity

Shelf positions	6
Total capacity	85L
Usable capacity	72L

Cleaning

Acid resistant graphite enamel	•
--------------------------------	---

- Pyrolytic self-clean
- Removable oven door
- Removable oven door inner

Controls

- Audio feedback
- Automatic cooking/minute
- Automatic pre-set
- Celsius/Fahrenheit
- Electronic clock
- Electronic oven control
- Soft close doors

Functions

- Bake
- Classic bake
- Fan bake
- Fan forced
- Fan grill
- Grill
- Number of functions **9**
- Pastry Bake with Pizza mode
- Pizza bake
- Pyrolytic self-clean
- Roast

Performance

- ActiveVent™ system
- AeroTech™ technology
- Automatic rapid pre-heat

- Grill power **3000W**
- Whisper quiet cooking

Power requirements

- Amperage **15A**
- Supply frequency **50Hz**
- Supply voltage **220 - 240V**

Product dimensions

- Depth **565mm**
- Height **598mm**
- Width **596mm**

Safety

- Balanced oven door
- Catalytic venting system
- Control panel key lock
- CoolTouch door
- Non-tip shelves

Warranty

- Parts and labour **2 years**

- SKU **82145**

The product dimensions and specifications in this page apply to the specific product and model. Under our policy of continuous improvement, these dimensions and specifications may change at any time. You should therefore check with Fisher & Paykel's Customer Care Centre to ensure this page correctly describes the model currently available. Fisher & Paykel Appliances Ltd 2020

Where applicable:

All appliances use energy, and energy usage typically generates carbon emissions. **Fisher & Paykel Appliances' In-use Energy Carbon Emissions Estimate** indicates carbon emissions from a product's in-use energy. This is calculated either annually or per cycle, using the product's market-specific energy label energy consumption data multiplied by the carbon emissions factor for energy in your country or region.

Our In-use Energy Carbon Emissions Estimate is designed to assist customers in making informed purchasing decisions when comparing different Fisher & Paykel products. For example, a heat pump dryer typically has a lower In-use Energy Carbon Emissions Estimate than a vented dryer.

Other product downloads available at fisherpaykel.com



Service & Warranty



User Guide Wall Oven



Installation Guide Built-In Oven



Data Sheet Oven



A PEACE OF MIND SALE

24 Hours 7 Days a Week Customer Support

T 1300 650 590 **W**www.fisherpaykel.com

52cm integrated rangehood with Hob2Hood, 800m³/hr extraction rate, 3 fan speed plus Boost, and dishwasher safe filters.



Product Details

FEATURES

Hob2Hood	Powerful 800m ³ /hr extraction rate	LED lighting	3 speed fan + Boost mode
Dishwasher safe mesh filters	Dark Stainless Steel Finish	Ducted or recirculating options	

BENEFITS

Clear the air with Hob2Hood

With Hob2Hood technology, compatible rangehoods work seamlessly with your induction or ceramic cooktop to clear your kitchen of cooking smells and steam. As you start cooking, the rangehood will automatically turn on then intuitively adjust the fan speed and airflow to match your cooking. How's that for hands-free convenience?

Clear the air quickly

Our rangehoods offer powerful extraction rates ensuring your kitchen is clear of cooking odours, vapours and excess heat in no time at all.

Low energy, long lasting LED

With low energy use and a high illumination performance, long-lasting LED lights make it easy to keep an eye on your delicious cooking.

Easy-clean filters

For ease and convenience, our easily removed aluminium micro-mesh filters can simply be washed safely in your dishwasher or hand washed. Keep your rangehood looking great and performing well with next to no effort.

Specifications

PRODUCT PROFILE

Domestic warranty details (yrs)	2
---------------------------------	---

Type of Rangehood	integrated under cupboard
-------------------	---------------------------

Nominal width (cm)	52
--------------------	----

Finish of Rangehood	Dark stainless steel
---------------------	----------------------

MOTOR/FAN

Number of fans	1
----------------	---

Number of fans speeds	3
-----------------------	---

Type of motor	tangential
---------------	------------

Perimeter extraction	No
----------------------	----

Maximum airflow M3/Hr	800
-----------------------	-----

Noise level dB high	67
---------------------	----

Noise level dB low	53
--------------------	----

Number of motors	1
------------------	---

Wattage of motor	275
------------------	-----

DIMENSIONS

Total product height (mm)	260
---------------------------	-----

Total product width (mm)	526
--------------------------	-----

Total product depth (mm)	292
--------------------------	-----

POWER

Electricity supply required (Kw)	0.305
----------------------------------	-------

DIMENSIONS

Diameter of ducting (mm)	150
--------------------------	-----

Minimum installation height from cooking surface Gas (mm)	650
---	-----

Minimum installation height from cooking surface Electric (mm)	600
--	-----

Cut out width (mm)	495
--------------------	-----

Cut out depth (mm)	262
--------------------	-----

CONTROLS

Control panel	electronic push button
---------------	------------------------

Safety/ display indicators	clean filter indicator, auto thermal cutout safety switch
----------------------------	---

Hob2Hood function	Yes
-------------------	-----

LIGHTS

Number of lights	2
------------------	---

Wattage of light	3.5
------------------	-----

FILTERS

Number of filters	1
-------------------	---

Type of filter	multilayer aluminum micromesh filters
----------------	---------------------------------------

Dishwasher safe	Yes
-----------------	-----

DUCTING / RECIRCULATION

Ducting	optional accessory
---------	--------------------

Top or rear duct hole	top
-----------------------	-----

LIGHTS

Type of light	LED
---------------	-----

DUCTING / RECIRCULATION

Recirculation option	Yes
Recirculation kit	optional accessory
Front recirculating option	No
Optional extension flue	No
Type of filter	Charcoal
Filter	Optional
Number of optional filters required	two
Ducting diameter (mm)	150

SHIPPING

Shipping Volume (m3)	0.094
Shipping Weight (Kg)	10
Product Weight (Kg)	8
Pack Dimensions Height (mm)	425
Pack Dimension Width (mm)	605

STUFFING QUANTITIES

20ft	285
40ft	585
40ft HC	702

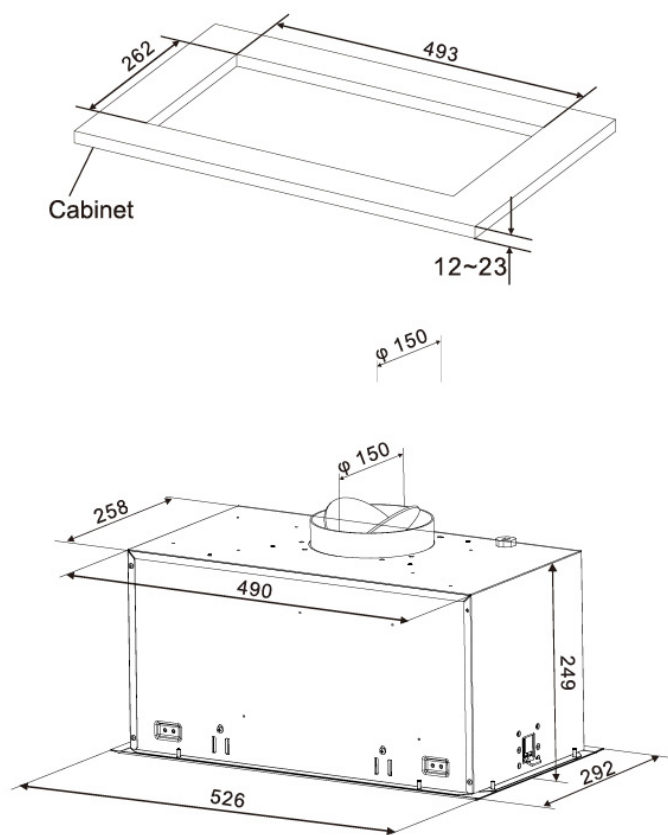
SHIPPING

Pack Dimension Depth (mm)	365
------------------------------	-----

Dimensions

Integrated rangehood

WRI525BC



IMPORTANT

These dimensions are a guide only. All measurements are in millimetres (mm).
For complete installation instructions, refer to the manual provided with product.

Terms and Conditions

IMPORTANT

This is a guide of product dimensions only. For complete installation instructions, refer to the manual provided with product.

PRODUCT INFORMATION

The descriptors and illustrations in this publication apply to the specific products and models described as at the date of issue. Under our policy of continuous product development, product specifications may change without notice. Prospective purchasers should therefore check with their retailer to ensure this publication correctly describes the products that are being offered for sale. All information supplied is to be used for general reference purposes only and is on the understanding that Electrolux Home Products Pty Ltd (Australia) and Electrolux (NZ) Ltd (New Zealand) will not be liable for any loss, liability or damage of whatever kind arising as a result of reliance on such information. Colours of products illustrated are as close as printing limitations allow. Electrolux will at all times comply with its obligations pursuant to law including Trade Practices (Australian Consumer Law) Act and Regulations.

WARRANTY

This warranty only applies to Appliances purchased and used in Australia or New Zealand and used in normal domestic applications and is in addition to (and does not exclude, restrict, or modify in any way) any non-excludable statutory warranties in Australia or New Zealand. All warranties are subject to the conditions set out in the warranty card accompanying the product when purchased.

ELECTROLUX HOME PRODUCTS AUSTRALIA

telephone: 1300 363 640

fax: 1800 350 067

email: customercare@electrolux.com.au

web: www.electrolux.com.au

ELECTROLUX HOME PRODUCTS NEW ZEALAND

telephone: 09 573 2230

fax: 09 573 2221

email: customercare@electrolux.co.nz

web: www.electrolux.co.nz

MCHIE

JEFFREY MCCONCHIE

VIC 3193

BEAUMARIS VIC 3193

Delivery Instructions:

customer to pick up from warehouse 104 Herald street Cheltenham , ring customer when in , Oliveri have stock approx 7 days .

Payment	Amount
Goods Dispatched	0.00
Security Deposits	875.00
Deposits Applied	0.00
Cash on Delivery	0.00
Total	875.00
Includes GST	0.00
Tender	
00 (APPROVED)EFTPOS VISA	875.00
Change	0.00

EFTPOS Details

Card No.	Account	Approval No.	Card Type	OTN	Message	Amount
456468*****443	Credit	13017078673	EFTPOS VISA	04 EFTPOS VISA	00 (APPROVED)	\$875.00

Ordered Lines - Balance of Order

Brand	Model	MTHSDescription	Status	Qty	Amount
OLIVERI	*NP611 1TH	1 + 3/4 Sink Left Hand Bowl	BORD	1	875.00
Goods On Order					875.00

* In the event of any problems with this Big and Bulky product, it qualifies for an in home assessment by the manufacturer, where it may be repaired at your premises. This is generally the most convenient remedy. Contact your local store for details.



Billor Code: 319863
 Reference Number: 201312796935
 * B-Pay payments may take up to 3 days to process *

Order Total	875.00
Goods Taken	0.00
Total Tendered (Inc. Security Deposit)	875.00
Security Deposit Held*	875.00
Balance of Order	0.00